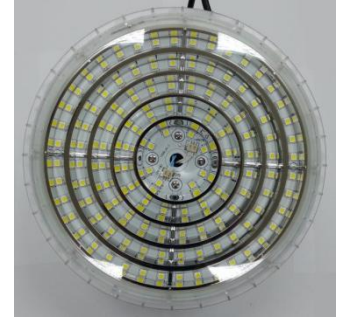
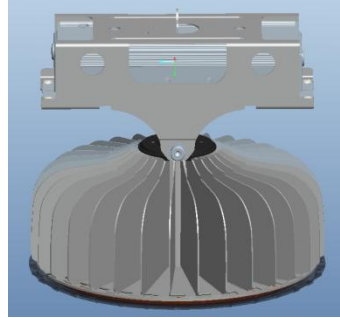


Características

- Hasta to 70% Ahorro de energía
- Alta potencia, 13500 lm
- CRI, 82Ra
- Vida util de 50000hrs
- 5700K



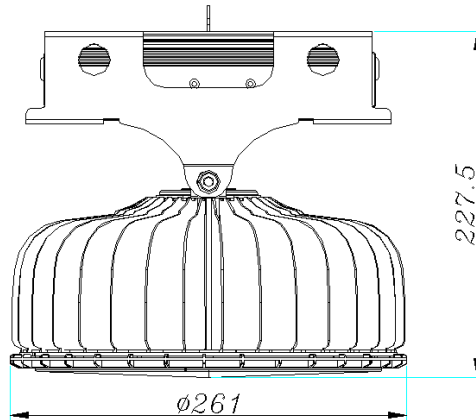
Electrical Information

Model No.	H1357P68N01.ALSE000
Power	130 W
Equivalent Conventional Lamp Power	250 W-400 W HM/VSAP
Input Voltage	100-277 V
Operating Frequency	50/60 Hz
Input Current	0.5 A
Power Factor	>0.95
Number of switching cycles	20000 times

Technical Information

Model No.	H1357P68N01.ALSE000
Beam Angle	68°
Luminous Flux	13800 lm
Eficiencia Luminica	108 Lm/ w
Color Temperature	5700K
Color Rendering Index	82 Ra
Life Time (L70)	50000 hours (L70)
Dimming	Dimmable 0-10V
Weight	2.95 kg
Size	Φ 261 X H 227.5 (mm)
Temperatura Operación	-30 + 50°
Grado de Protección	IP64

Dimensions



Datos Logísticos

	Packing unit (Pieces/Unit)	Dimension (W x D x H)	Gross Weight
H1357P68N01.ALSE000	1	340 x 340 x 400mm	3.600g

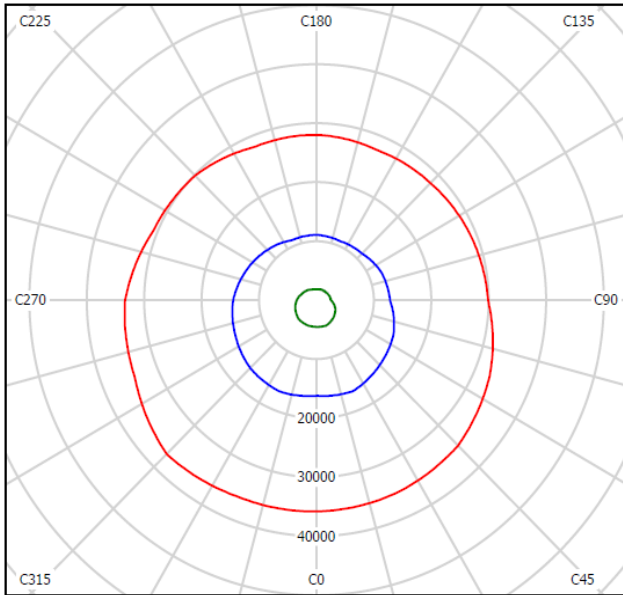
Certificación



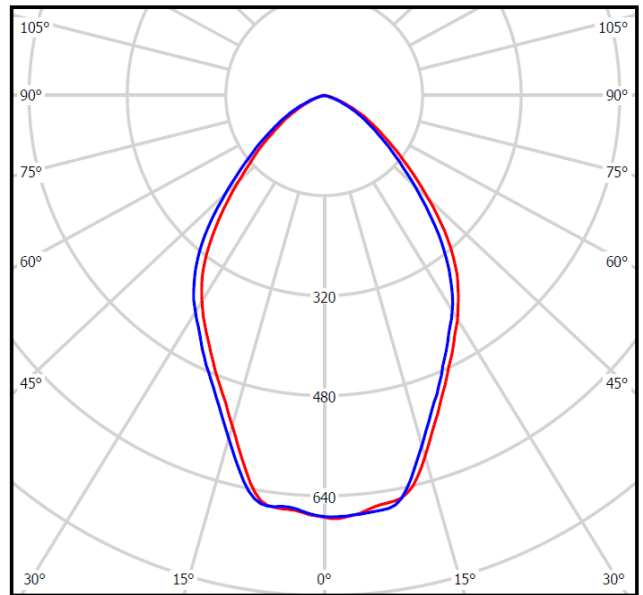
<http://www.lg.com/global/sustainability/environment/>



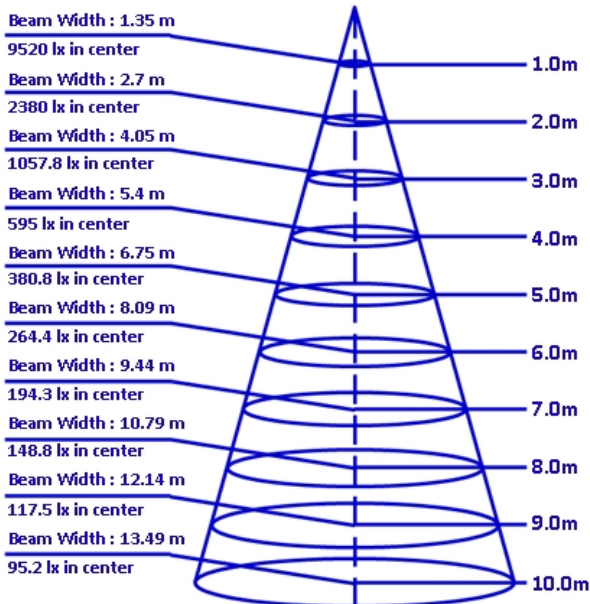
Datos Fotometricos



cd/m²
 — g = 55.0° — g = 65.0° — g = 75.0°



cd/klm
 — C0 - C180 — C90 - C270
 η = 100%



LG
 Life's Good